

PISTON ROD PACKING (PRP)

CUSTOMISED DESIGN ACCORDING TO THE APPLICATION
USE OF HIGH-QUALITY MATERIALS WITH EXCELLENT TRIBOLOGICAL PROPERTIES
CUSTOMISED DIMENSIONS FOR EXISTING INSTALLATION SPACES

STASSKOL's range of piston rod packings covers all applications used in piston compressors. We manufacture piston rod packings for both lubricated and non-lubricated service and cooled or noncooled packing cases. All our designs can be delivered with additional connections for leakage gas, buffer gas, purge gas and temperature monitoring, all adjusted to the operating conditions.

PRP ACC. TO API618

Piston rod packing cases consist of several sealing chambers with sealing elements and a mounting flange. The reciprocating piston rod runs through the rod packing and the sealing elements float freely in the sealing chambers enabling them to conform to the rod profile and faces of the chambers, creating an effective seal. Each ring of the sealing element will adjust automatically as they wear. Primary sealing rings can be supplemented by a pressure breaker, labyrinth rings, support rings, oil wiper rings and, if necessary, O-rings. In general these sealing rings are described as a "set of internal parts". The packing case incorporates the above mentioned sealing elements in annular chambers, complete with a mounting flange all held together with tie rods.

DURABILITY

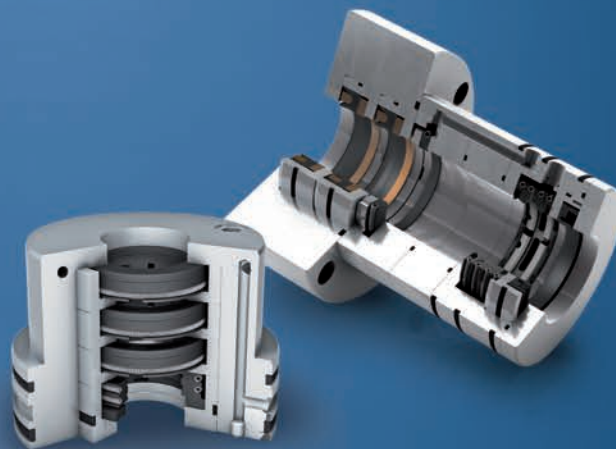
Several factors determine the reliability and performance of a piston rod packing, including gas composition, temperatures, pressures, moisture content and gas cleanliness. Other factors to consider are condition and material of the counter surfaces the sealing elements are running against, quantity and distribution of lubricant (if used), material and design of the sealing elements and piston rod linear speed. All known influencing factors are taken into consideration at the design stage to ensure optimum lifetime and performance of the sealing elements is achieved.

PRP AIRS

The AIRS - Air Solution is a special piston rod packing for air applications, which can be seen differs from the standard design. The individual packing cups are assembled in a packing casing, which also includes the gas-tight cooling circuit. To keep the installation space of the entire unit as small as possible, the sealing cartridge is installed directly in the cylinder head without a separate packing flange. Three of the patented STASSKOL single sealing rings are combined with a pressure breaker ring and all sealing rings are manufactured in STASSKOL's unique PTFE based polymer material specially developed for air operation. This design guarantees an outstanding service life.

PRP CNGS

For CNG (LPG) filling station compressors, a new gas-tight piston rod packing „Compressed Natural Gas Solution“ has been developed, which has significantly lower leakages than the standard piston rod packing. The integrated BOSS oil wiper packing has a new design principle, instead of the standard gapped sealing ring pairs, highly elastic lip type seals are used. This special design consist of our PTFE compound grade SK202, which was developed and manufactured in our own in-house Material Center. The SK202 combines excellent tribological properties and high elasticity. In order to minimize wear and leakage, the lip type seals were engineered to resist deformation. With the CNGS, STASSKOL has brought an exceptional and innovative gastight packing to the market, which enables the compressor to maintain high efficiency due to minimum leakage, i.e. more standard cubic meters' methane yield per kW of gas fed. Super gastight – Super savings – Super compact!



STASSKOL GmbH
Maybachstrasse 2
39418 Stassfurt, Germany

☎ +49-3925-288-100

- 🇩🇪 ✉ info@stasskol.de
- 🇺🇸 ✉ Ian.Evans@stasskol.com
- 🇫🇷 ✉ Philippe.DeRamecourt@stasskol.de
- 🇮🇳 ✉ Shailendra.Chougule@stasskol.co.in
- 🇨🇳 ✉ Tao.Yang@stasskol.cn

🌐 www.stasskol.com